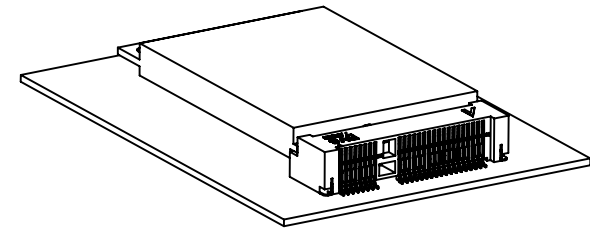
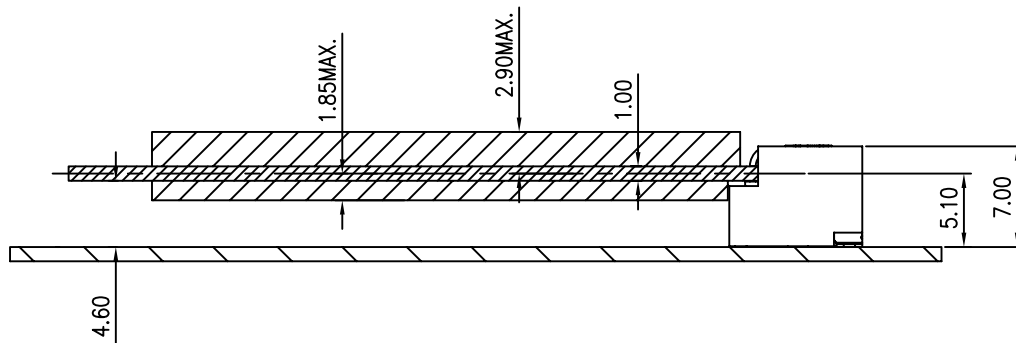


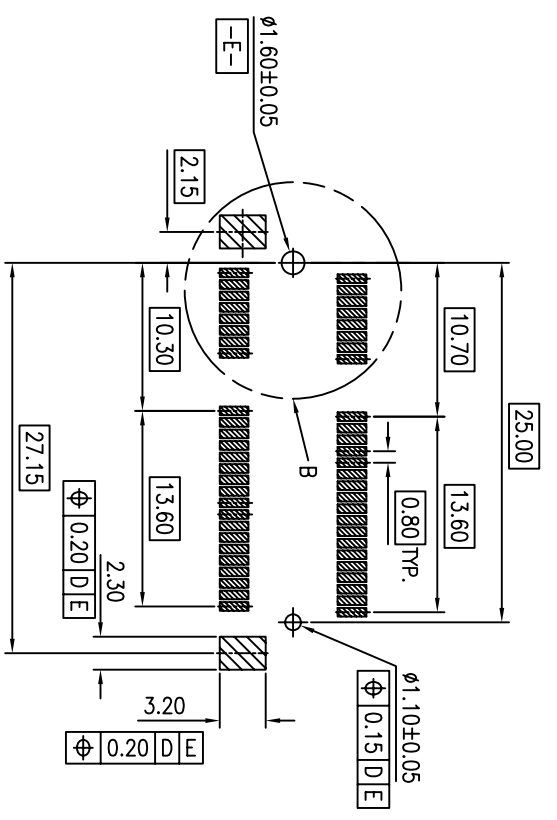
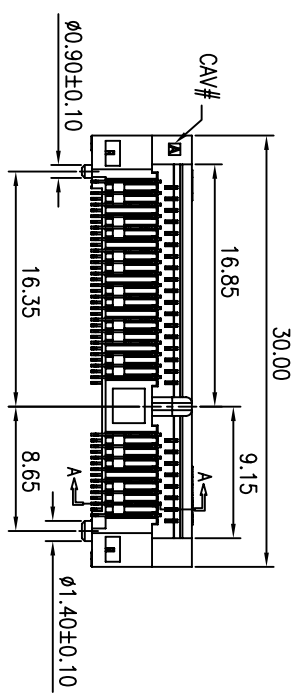
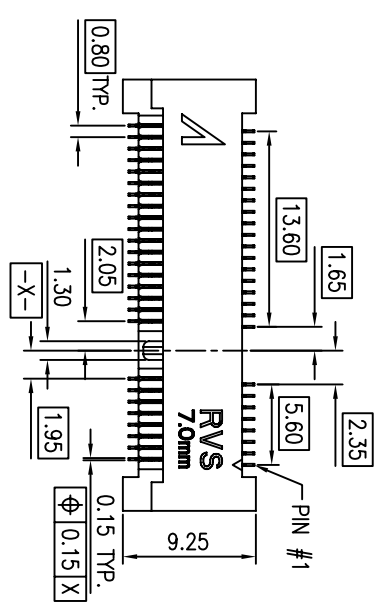
NOTES:

1. MATERIAL:
  - 1.1 HOUSING: THERMOPLASTIC, HIGH TEMP., UL94V-0; COLOR:BLACK.
  - 1.2 CONTACT: COPPER ALLOY
  - 1.3 FITTING NAIL: COPPER ALLOY
2. FINISH:
  - 2.1 CONTACT: GOLD FLASH PLS. SEE ORDER INFORMATION. 50u" MIN. NICKEL UNDERPLATING OVERALL.
  - 2.2 FITTING NAIL: 100u" MIN. TIN PLATING ON SOLDER TAILS. 50u" MIN. NICKEL UNDERPLATING OVERALL.
3. REFLOW SOLDER CAPABLE TO 260°C PER ACES SPEC.
4. THE MODULE CARD REFERENCE MINIPCI EXPRESS CARD ELECTROMECHANICAL SPECIFICATION
5. DATUM D IS THE TOP SURFACE OF PCB
6. SPEC. PLS. REFER TO PS-51700-052xx
7. PACKING SPEC. PLS. REFER TO 88905-XXXX-TRP

TYPE	DIM C
Half-Mini Card	23.90
Full-Mini Card	48.05



一般公差 <b>TOLERANCES</b> X ±0.5    .XX ±0.15 X ±0.25    .XXX ±0.1 ANGLES    ±2°		<b>宏致電子股份有限公司</b> <b>Aces Electronic Co.,Ltd.</b>	
檢驗尺寸標示 <b>SYMBOLS</b> (C) (M) INDICATE <b>CLASSIFICATION DIMENSION</b>	品名 (TITLE) MINI PCI EXP. RVS TYPE 0.8mm PITCH H=7.00mm	製圖 (DR) '09/01/07    Stone	5
(C) MARK IS CRITICAL DIM. (M) MARK IS MAJOR DIM.	圖號 (DWG.NO) 51714-XXXXX-XXX	審核 (CHKD) Sam	
表面處理 (FINISH)	比例 (SCALE)    2:1 單位 (UNITS)    mm	核准 (APPD) Jason	
		張數 (SHEET) 1 OF 3	SIZE    REV A4      A



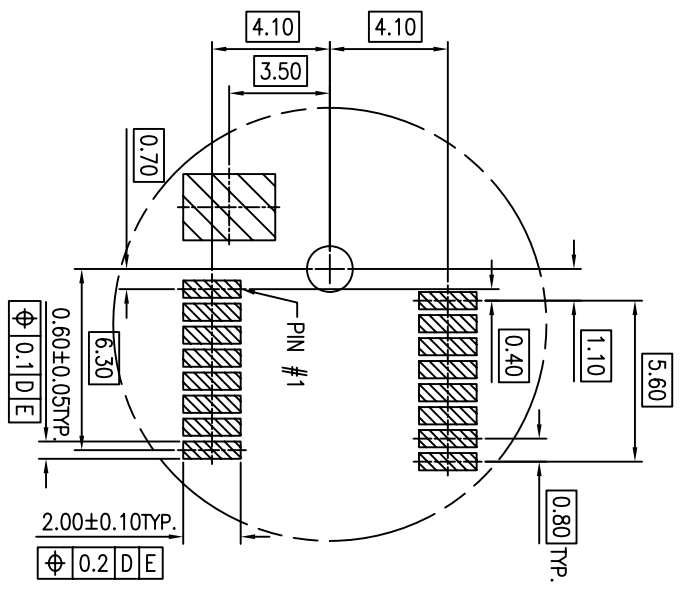
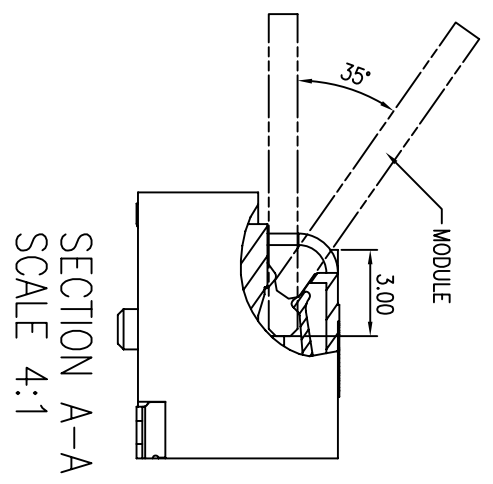
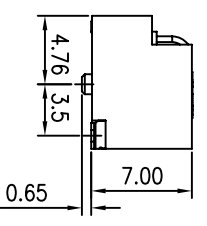
PART NUMBER  
51714 - XXX X X-XXX

POS. \_\_\_\_\_  
052. 52 PIN

PACKAGE \_\_\_\_\_  
0.TAPE & REEL

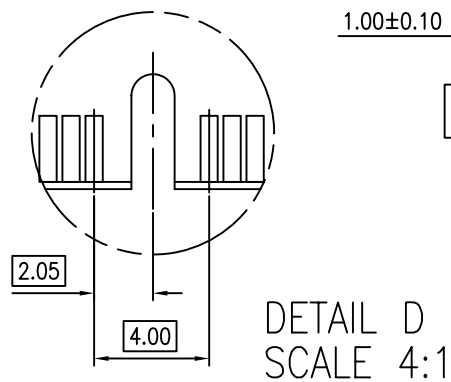
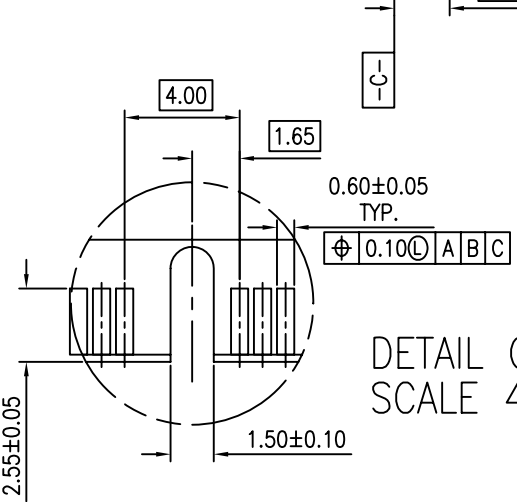
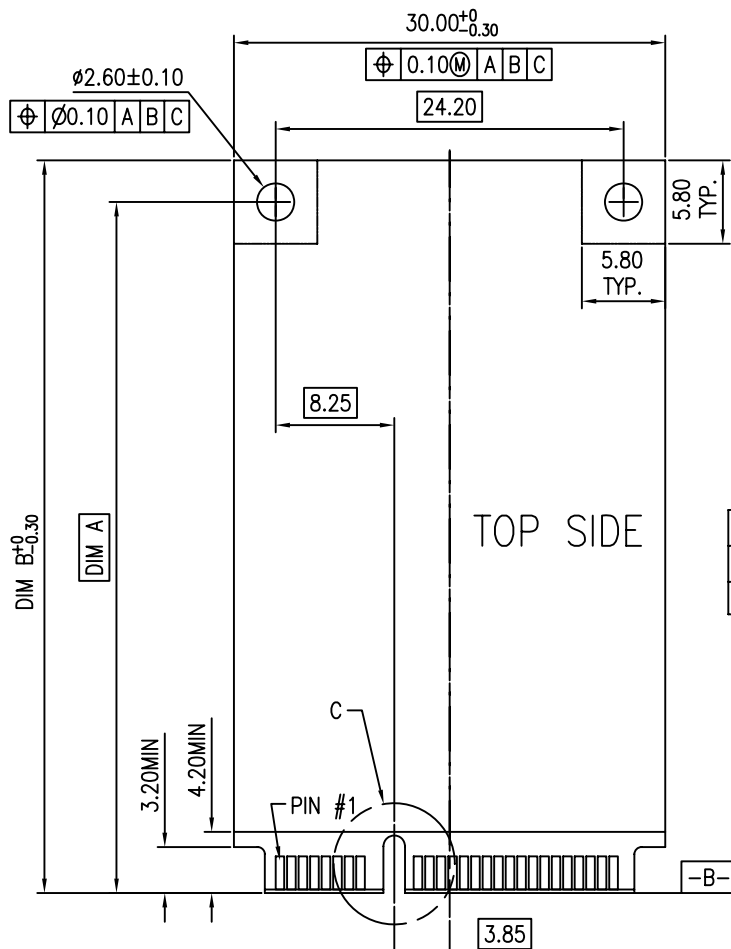
PLATING  
W.1u" GOLD ON CONTACT AND SOLDER FOR SELECTIVENESS PLATING  
A.T. UNDER PLATED: NICKEL 50u"-100u" OVERALL  
CONTACT POINT: GOLD 10u" MIN  
SOLDER TAIL: GOLD 1u" MIN

XXXI COLOR Halogen Free  
001 BLACK HF

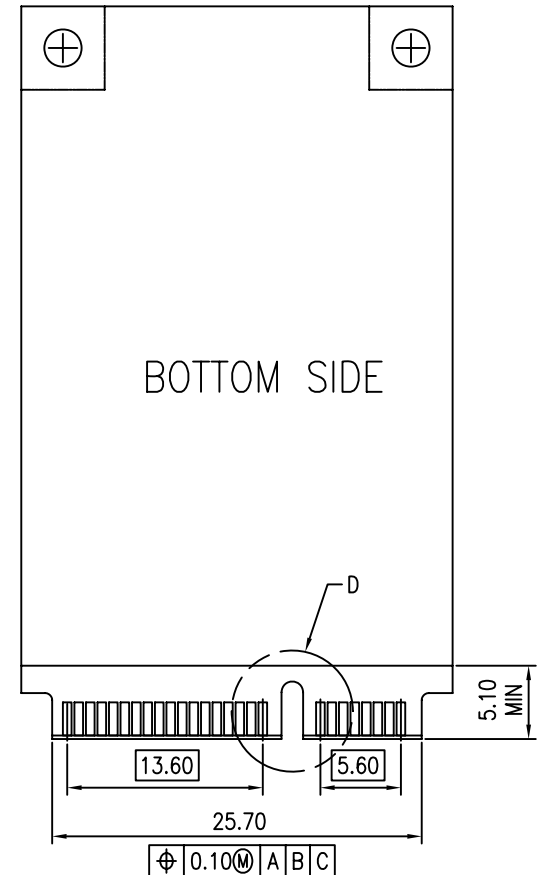
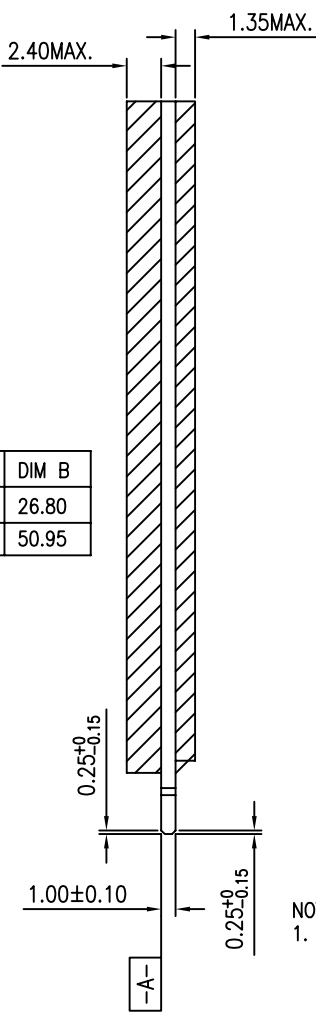


DETAIL B  
SCALE 4:1

一般公差 TOLERANCES X ±0.5 XX ±0.15 X ±0.25 XXX ±0.1 ANGLES #2	宏致電子股份有限公司 Aces Electronic Co., Ltd.	製圖 (DR) 09/01/07	Stone
檢驗尺寸標示 SYMBOLS #3 INDICATE CLASSIFICATION DIMENSION	品名 (TITLE) MINI PCI EXP. R/S TYPE 0.8mm PITCH H=7.00mm	審核 (CHKD) Sam	Stone
MARK IS CRITICAL DIM. MARK IS MAJOR DIM.	圖號 (DRAWING NO) 51714-XXXXX-XXX	核准 (APPD) Jason	Stone
表面處理 (FINISH)	比例 (SCALE) 單位 (UNITS) 2:1 mm	張數 (SHEET) 2 OF 3	SIZE REV A4 A



TYPE	DIM A	DIM B
Half-Mini Card	23.90	26.80
Full-Mini Card	48.05	50.95



NOTES:  
 1. PIN NUMBERING REFERENCE:  
 ODD PINS: TOP SIDE  
 EVEN PINS: BOTTOM SIDE

一般公差 TOLERANCES		宏致電子股份有限公司 Aces Electronic Co.,Ltd.	
X ±0.5	XX ±0.15	品名 (TITLE)	製圖 (DR)
X ±0.25	XXX ±0.1	MINI PCI EXP. RVS TYPE	'09/01/07 Stone
ANGLES ±2°		0.8mm PITCH H=7.00mm	審核 (CHKD)
檢驗尺寸標示		圖號 (DWG.NO)	Sam
SYMBOLS Ⓢ Ⓣ INDICATE CLASSIFICATION DIMENSION		51714-XXXXX-XXX	核准 (APPD)
Ⓢ MARK IS CRITICAL DIM.			Jason
Ⓣ MARK IS MAJOR DIM.			
表面處理 (FINISH)		比例 (SCALE)	單位 (UNITS)
		2:1	mm
		張數 (SHEET)	SIZE
		3 OF 3	A4
		REV	A